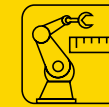


# ARC Mate 100iC/7L (Long arm, Hollow wrist)

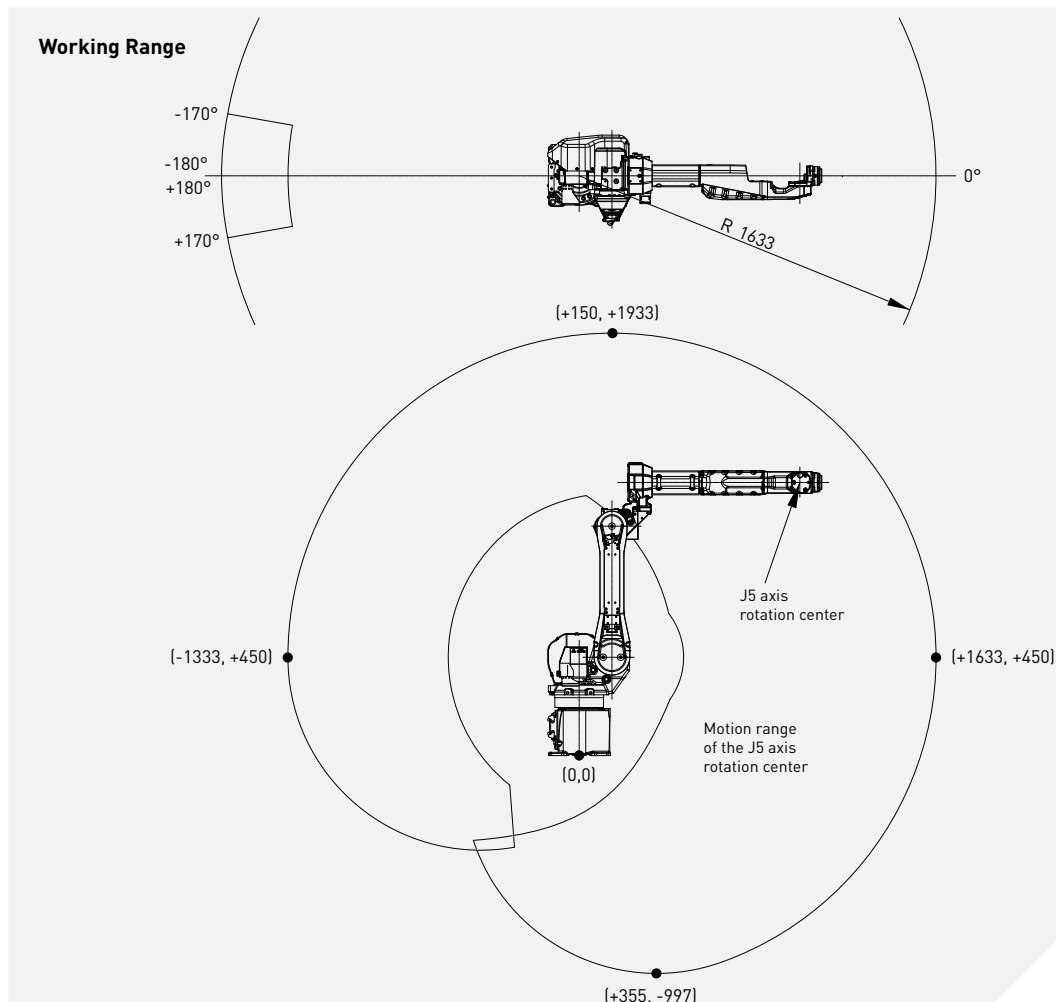


Max. load capacity  
at wrist: **7 kg**



Max. Reach:  
**1633 mm**

Controlled axes	Repeatability (mm)	Mechanical weight (kg)	Motion range (°)						Maximum speed (°/s)						J4 Moment/ Inertia (Nm/kgm <sup>2</sup> )	J5 Moment/ Inertia (Nm/kgm <sup>2</sup> )	J6 Moment/ Inertia (Nm/kgm <sup>2</sup> )
			J1	J2	J3	J4	J5	J6	J1	J2	J3	J4	J5	J6			
6	± 0.08	135	360	250	447	380	380	720	230	225	230	430	430	630	7.7/0.24	7.7/0.24	0.22/0.0027



## Robot

	ARC Mate 100iC/7L
Robot footprint [mm]	283 x 283
Mounting position Floor	●
Mounting position Upside down	●
Mounting position Angle	●



## Controller

	30iB
Open air cabinet	-
Mate cabinet	○
A-cabinet	●
B-cabinet	○
iPendant Touch	●

## Electrical connections

Voltage 50/60Hz 3phase [V]	380-575
Voltage 50/60Hz 1phase [V]	-
Average power consumption [kW]	1

## Integrated services

Integrated signals on upper arm In/Out	8/8
Integrated air supply	1

## Environment

Acoustic noise level [dB]	< 70
Ambient temperature [° C]	0-45

## Protection

Body standard/optional	IP54 / IP55
Wrist & J3 arm standard/optional	IP54

● standard ○ on request - not available ( ) with hardware and/or software option